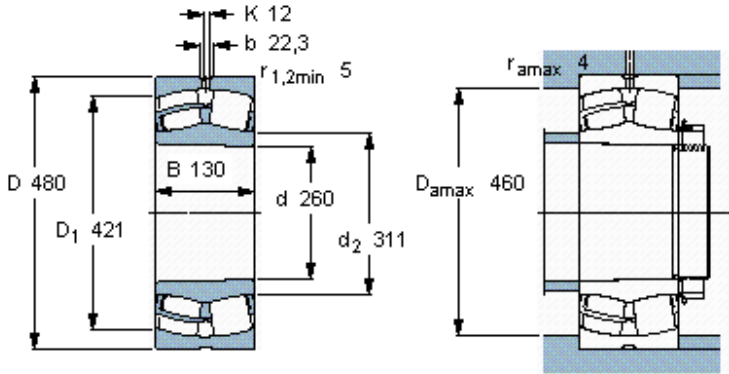


Spherical roller bearings, cylindrical and tapered bore

Principal dimensions			Basic load ratings		Speed ratings	Limiting speed	Designation
d	D	B	dynamic C	static C0	Reference speed		* SKF Explorer bearing
mm			kN		r/min		-
<b>260</b>	480	130	2722	3550	1200	1600	22252 CCK/W33 *



Tapered bore, taper  
1: 12

**Calculation factors**

- e 0,27
- Y<sub>1</sub> 2,5
- Y<sub>2</sub> 3,7
- Y<sub>0</sub> 2,5